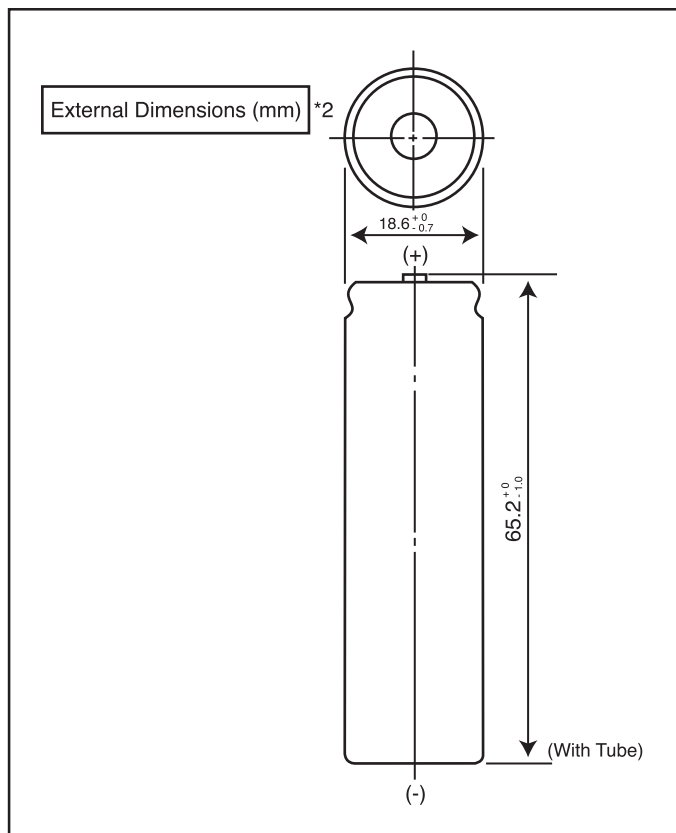


CGR18650DA: Cylindrical Model



To ensure safety, the referenced Li-ion cell is not sold as a bare cell. Li-ion cells must be integrated with the appropriate safety circuitry via an authorized Panasonic Li-ion pack assembler.

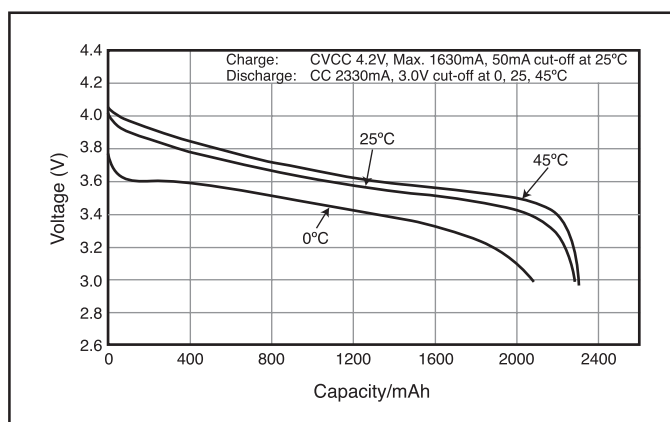
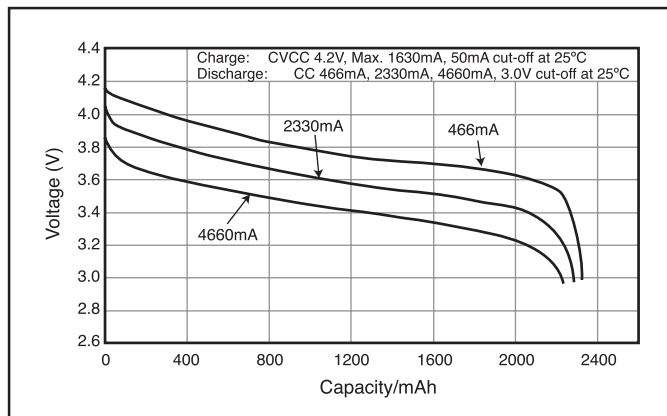
Specifications

Nominal Voltage		3.6 V
Standard Capacity^{*1}		2450mAh
Dimensions^{*2}	Diameter	18.6 + 0/-0.7mm
	Height	65.2 + 0/-1.0mm
	Weight	Approx. 45g

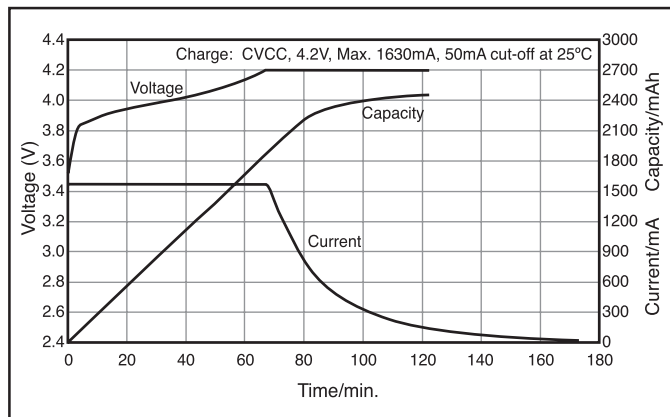
*1 After a fresh battery has been charged at constant voltage/constant current (4.2 V, 1630mA (max), 50mA cut-off, 25°C), the average of the capacity (ending voltage of 3 V at 25°C) that is discharged at a standard current (466mA).

*2 Dimensions of a fresh battery

Discharge Characteristics



Charge Characteristics



THIS PRODUCT IS AVAILABLE FROM
WWW.BATTERY SPECIALTIES.COM
 800-854-5759, 800-352-3706 in CA

