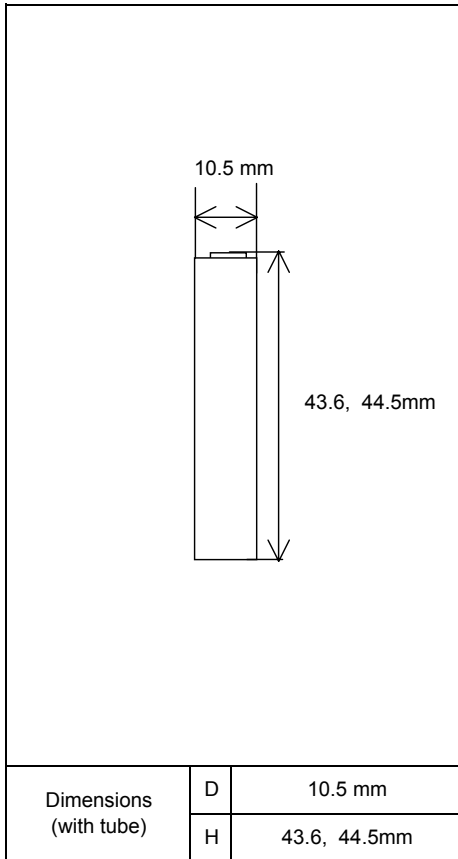


Specifications

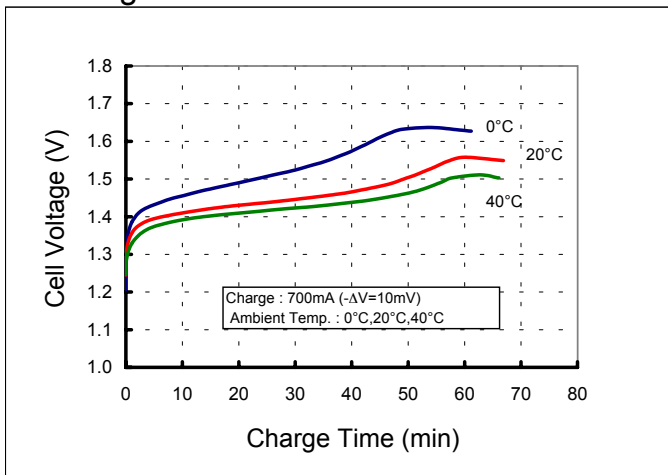


Type : Nickel-Metal Hydride Battery		Size : AAA	
Capacity ¹⁾	Typical	730mAh	
	Minimum	650mAh	
Nominal Voltage		1.2V	
Charging Current x Time	Fast Charge ²⁾	730 mA x about 1.1h	
Ambient Temp.	Charge Condition	Fast Charge ²⁾	
	Discharge Condition	0°C - 50°C	
	Storage Condition	Less than 30days	-20°C - 50°C
		Less than 90days	-20°C - 40°C
Less than 1year		-20°C - 30°C	
Internal Impedance ³⁾ (after discharge to E.V.=1.0V)		About 35mΩ(at 1000Hz)	
Weight ⁴⁾		About 13 g	
Size ⁴⁾ : (Diameter) x (Height)		10.5(D) x 43.6, 44.5(H)	

- 1)Single cell capacity under the following condition.
 Charge : 73mA×16h, Discharge : 146mA(E.V.=1.0V) at 20°C
 2)Use recommended charging system.
 3)After a few charge and discharge cycles under the above 1) condition.
 4)With tube.

Typical Characteristics

Charge



Discharge

